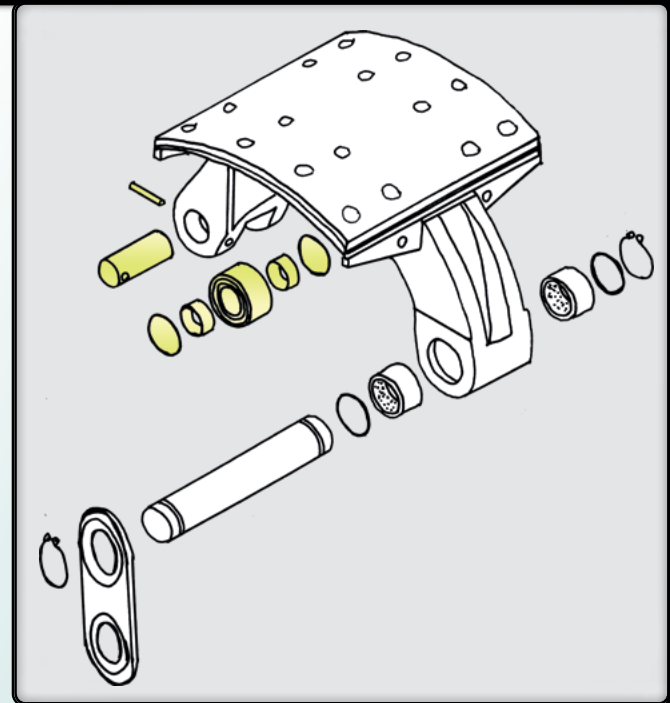




310001

Brake roll kit

Sc ref.



Sc ref. **811768**

5 x 36 mm

Sc ref. **1338018**

32,2 x 3,0 mm
Silicon

Sc ref. **154262**

25 x 54 mm

Sc ref. **154259**

25 x 60 x 28 mm

+

Sc ref. **154261** x 2

Bushings
25 x 28,1 x 10 mm

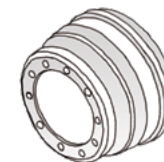
kg 0,69



LPGRS
GPR
94 - 164

08/2016 →
04/2004 - 2018
06/1995 - 12/2004

80 - 145, 81 - 146, 82 - 142, 93 - 143



2 /