



**HD 312129** Spring clamp assy 175 mm +/-5 mm  
Sc ref. 2096129 1726128

**HD 312130** Spring clamp assy 190 mm +/-5 mm  
Sc ref. 2096130 1726129 1324367

**HD 312131** Spring clamp assy 200 mm +/-5 mm  
Sc ref. 2096131 1726130 1384353 1377774 293321

**HD 312132** Spring clamp assy 215 mm +/-5 mm  
Sc ref. 2096132 1726131 1331197 276229

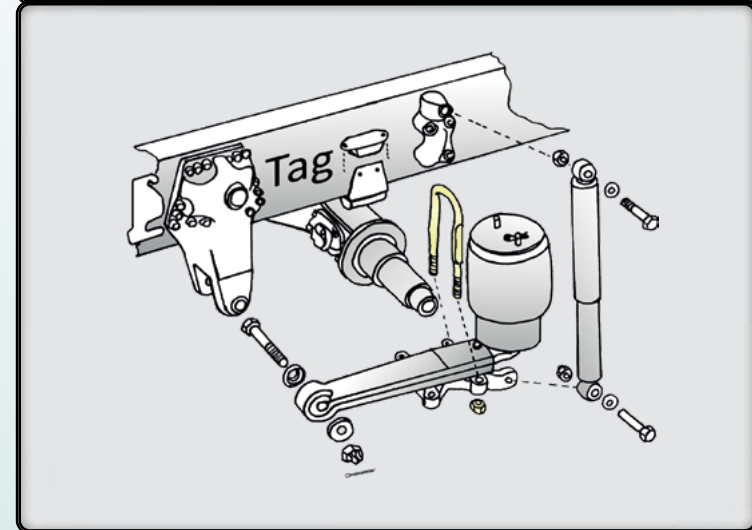
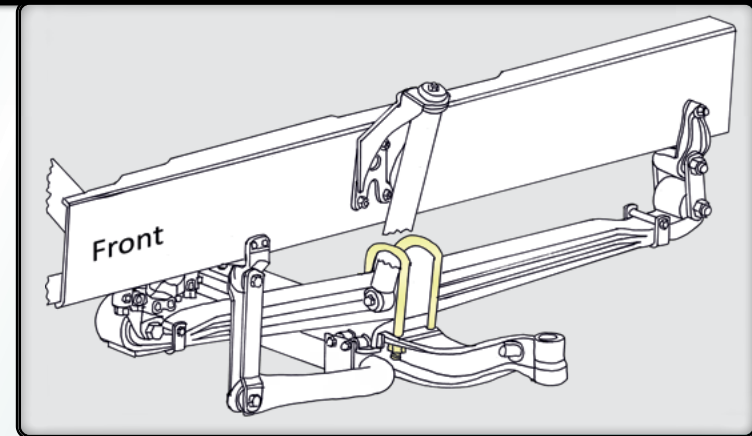
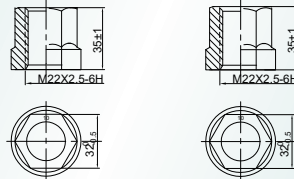
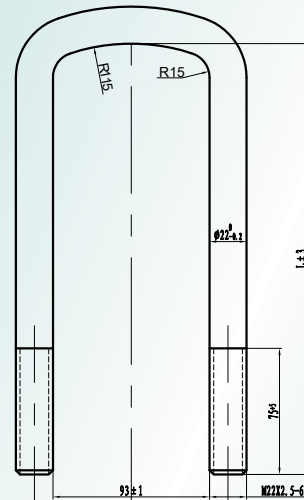
**HD 312133** Spring clamp assy 225 mm +/-5 mm  
Sc ref. 2064011 1726132 1331198 1308593 293322

**HD 312134** Spring clamp assy 240 mm +/-5 mm  
Sc ref. 2096134 1726133 1384444 1377773 326822

**HD 312135** Spring clamp assy 255 mm +/-5 mm  
Sc ref. 2096135 1726134 1331200

**HD 312136** Spring clamp assy 270 mm +/-5 mm  
Sc ref. 2096136 1726135 1384497

**HD 312137** Spring clamp assy 280 mm +/-5 mm  
Sc ref. 2096137 1726136



**Clamp:**

Ø 22 mm  
M22 x 2,5 x 75 mm +/-5mm 5-6H  
Width: 93 mm (+/-1 mm)  
40Cr (HRC34-38)  
Tensile strength 10.9 >1040N/mm<sup>2</sup>  
Dark Grey bake paint / Surface treatment

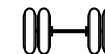


**Tensioner:**

M22 x 2,5 x 35 mm (+/-1 mm) 5-6H  
40Cr ( HRC28-32 ) Phosphate  
Wrench 32mm (+/-0,5 mm)  
Tensile strength 10



Front axle



Tag axle

312129	LPGRS	GPR		
312130	LPGRS	GPR	94 - 164	
312131	LPGRS	GPR	94 - 164	93 - 143
312132	LPGRS	GPR	94 - 164	93 - 143
312133	LPGRS	GPR	94 - 164	93 - 143
312134	LPGRS	GPR	94 - 164	93 - 143
312135	LPGRS	GPR	94 - 164	
312136	LPGRS	GPR	94 - 164	
312137	LPGRS	GPR	94 - 164	