

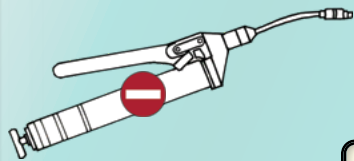
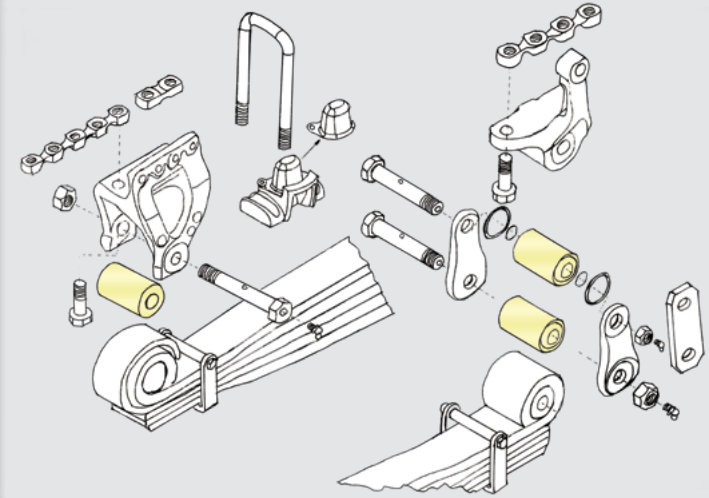


312400

Bushing (dry) → Front of 1. and 2. front axle

Sc ref.

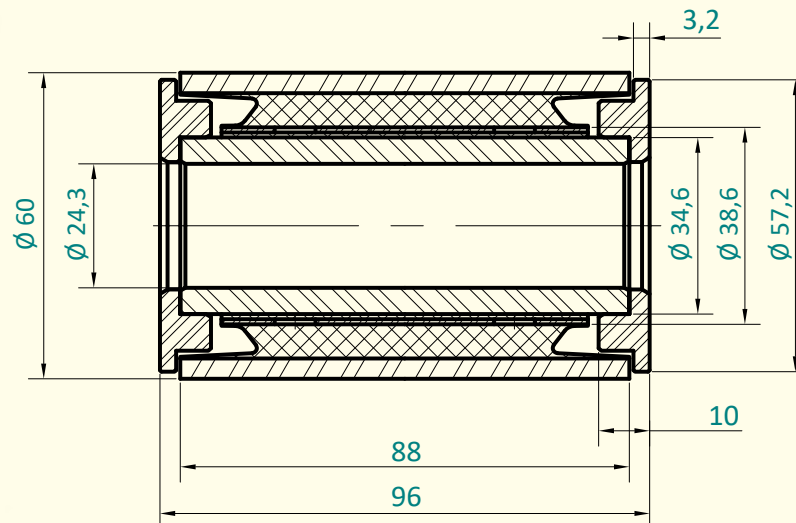
2470800
2470850

 Inside Ø: 24,3 mm
 Outside Ø: 60,0 mm
 Length: 96,0 mm


LPGRS



08/2016 →



Please note: Inside hole Ø diameters are different:

 Lubricated 312402 = Ø 24,8 mm
 Dry 312400 = Ø 24,3 mm

Suitable shaft kits:

312406
 2075466

 312408
 1802033

 312412
 1802033

 kg 1,15