



HD - PARTS



2023

SCANIA

Newest version of this page →
© Copyright HD-Parts



12



363

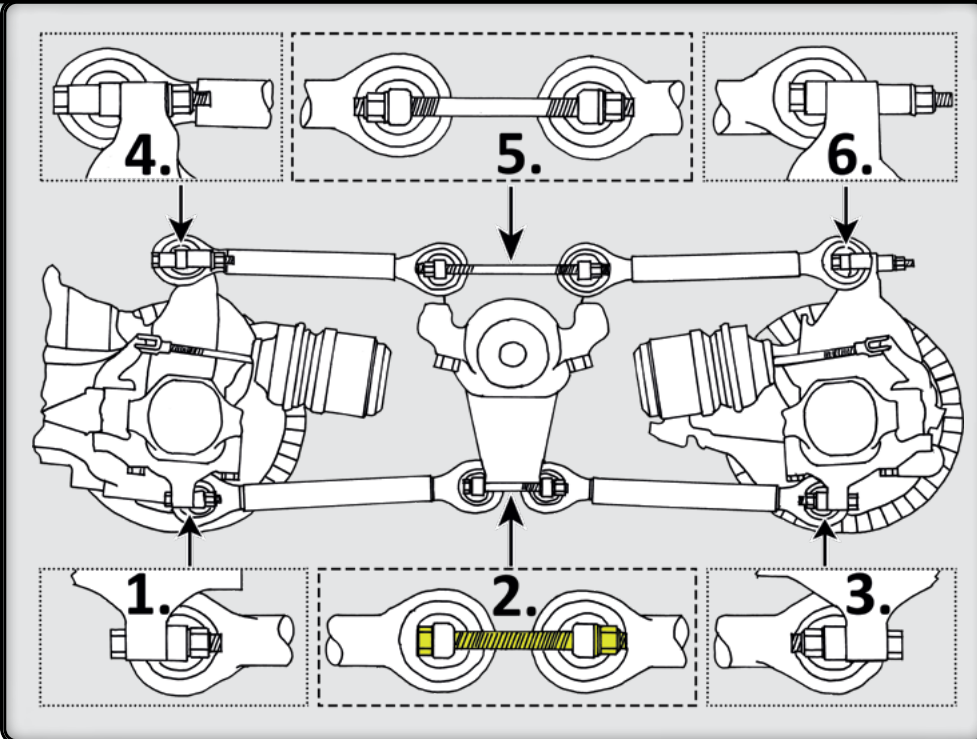
312751





Installation kit → both side bottom torque rods, middle

Location: 2.

- Sc ref. **1488091** x 2
- Sc ref. **1503168** x 4
- Sc ref. **816075** x 2

Tensile strength: 10.9 / 10
 Threads: M18 x 2,5 mm
 Length: 210 mm
 Coating: "Dacromet"



			
LPGRS GPR 94 - 164	08/2016 → 2004 - 2018 1994 - 2008	BT201 B/I BT201 BT201	BT300 B/I BT300 BT300

